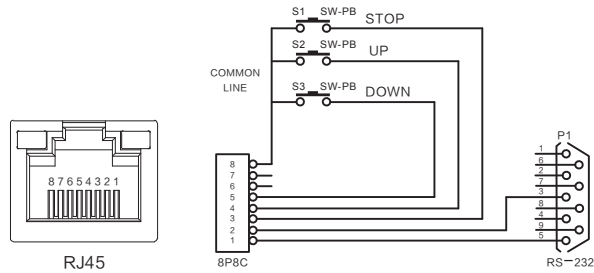


Using close contact WIRING MAP

Line	1	2	3	4	5	6	7	8
Function	RS485-B RS232-GND	RS485-A RS232-TXD	STOP	UP	DOWN			COMMON LINE



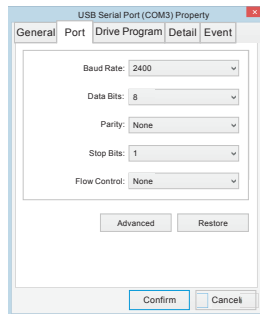
RS-232 Control Protocol

- Baud Rate: 2400
- Data Bits: 8
- Stop Bits: 1
- Parity: None

Hex command:

- Screen UP: ff ee ee ee dd
- Stop: ff ee ee ee cc
- Down: ff ee ee ee ee

In some cases you may need to enable the RS-232 control by sending hex command: ff ee ee ee aa



Note:

- When setting RS232 or RS485, if the screen is not able to operate as it is, please switch position of No. 1 and No. 2.
- The electric resistance of return circuit is less than 20Ω.
- Do not do wiring nearby interference sources.

Setting for Up and Down Limited Positioning for Motor:

- The limited positioning of motor has been defaulted when EX-factory, it is not allowed to reset.

Screen: Voltage AC220-230V/50/60HZ, 0.27Amp, power 60watts.

RF remote(F): Voltage 3V, use CR2450*1 battery.

Radio Frequency: 433Hz. maximum control distance 15m.

Protecting your Screen:

To ensure long lasting viewing enjoyment keep the screen rolled up when not in use. Check both the front and back surfaces before retracting into the case to make sure it is free of dust, dirt, insects or other foreign matter. Use a soft brush or cloth to lightly remove any foreign particles.

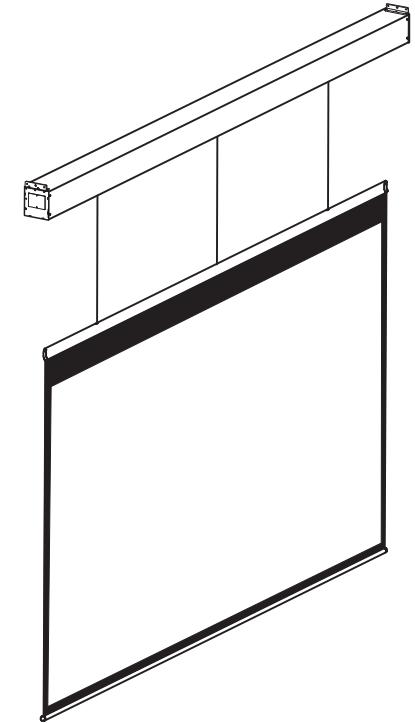
Cleaning your Screen:

Use warm water with a mild detergent to remove any marks on the surface or screen casing (only dab, do not rub). Immediately dry the screen with a soft cloth or towel. Do not leave it to air dry.

Never use any solvents, chemicals or abrasive cleaners on the screen surface as they can permanently damage the screen surface.

Grandview

SKYSHOW SCREEN USER MANUAL



 **Amber TECHNOLOGY**

AUSTRALIA
ambertech.com.au

NEW ZEALAND
amber.co.nz

Product code:
GRSKXXXX

 **Amber TECHNOLOGY**

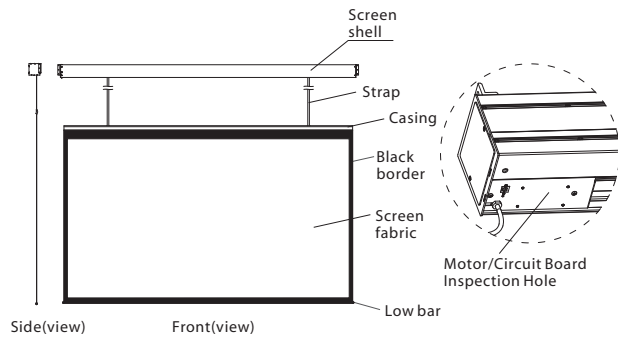
To the owner

Congratulations on purchasing a Grandview Sky-Show.

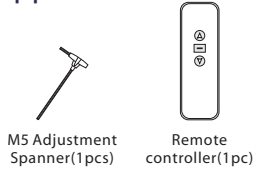
Before Installation

Please remove all the stickers before install the screen.

Viewing Drawing



Supplied



CAUTION

WARNING: Please guarantee ceiling or wall or suspension device can bearing 4 times of product net weight before installation. otherwise people hurt and property losses possible to happen by the reason of screen falling.

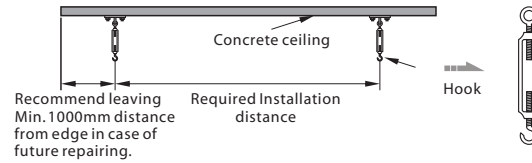
WARNING: Installation position must strictly fit for the dimension of product, to avoid problems like product cannot be installed or install leaning.

Installation preparation

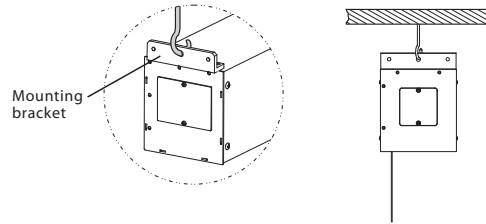
- Please prepare below necessary Installation tools: Screws driver, leveling Instrument, tape measure and marker.
- Before installation, please measure the installation screws distance and mark the screws position.
- It must be assured the screen is fixed firmly onto the wall which is strong enough according to the size and self weight.
- After installation, keep the casing both edge level.

Ceiling hanging Installation

- It is recommended to use hook available with adjustable length, please check below:

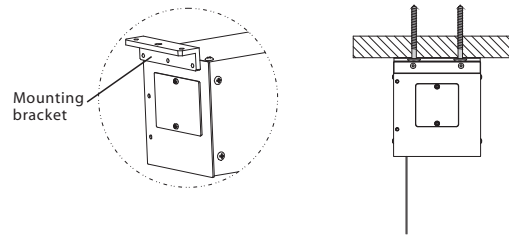


- Make sure the hook is well fixed onto the ceiling, hang the screen on and lock the buckle. Ensure the hook and buckle is well installed in case of dropping accidentally, figure below:



Ceiling mounting

- Leave at least 1000mm spare distance on the left edge referring to ceiling hanging installation. Fix the left and right mounting brackets with screws onto wall and make it firm. Please check below:



Caution

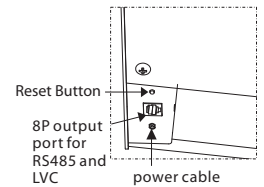
This product is using Single-phase AC power supply, must well connected to earth wire before operation.

Power connection:

Grandview screen is pre-install with your local plug, you can operate the screen easily when power supply is connected.

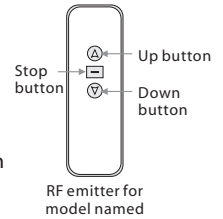
Control Option

- RF remote
- LVC
- RS232
- Close Contact



Using RF Remote:

- Press Up button, screen retract
- Press Stop button, screen stop
- Press Down button, screen expand
- RF remote is pre-setting in factory with the screen, also can reset if necessary.



To Re-Program the Remote Controller:

- Long press the Reset button (which in the bottom of the casing) for 3 seconds, will hear the casing with "quick-stop" move, then the memory is cleared.
- Long Press the up and stop button on the remote control at the same time within 10 seconds, will hear the casing with "quick-stop" move again, then it will sync automatically.

Cable Limit Settings

- Turn the remote control over to locate the "Programming Mode" activation toggle switch.
- Press with a fine tip and the LED should light up, indicating "Programming Mode" is on.
- Press the "UP/DOWN" buttons to move the screen to the required position. Then Press the STOP button when the desired limit is achieved.
- Press the Programming Mode toggle switch again to switch off programming mode and set the new limit.



Note: Maximum travel distance of steel wire is 5 meters.